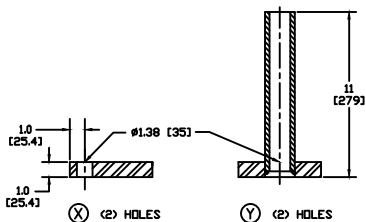
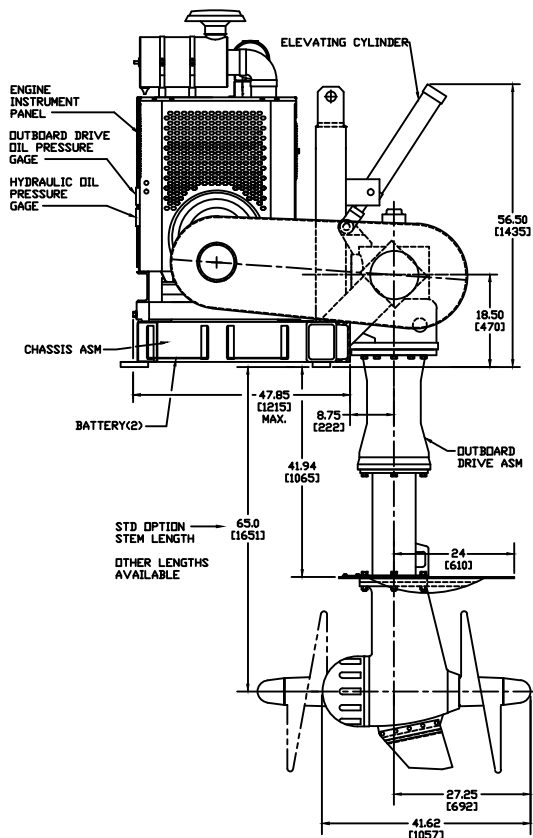


PLAN VIEW
(ENGINE AND ENCLOSURE NOT SHOWN)



MOUNTING BOLT HOLES
NO SCALE

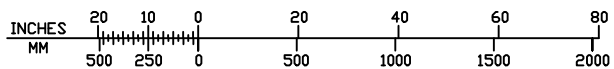
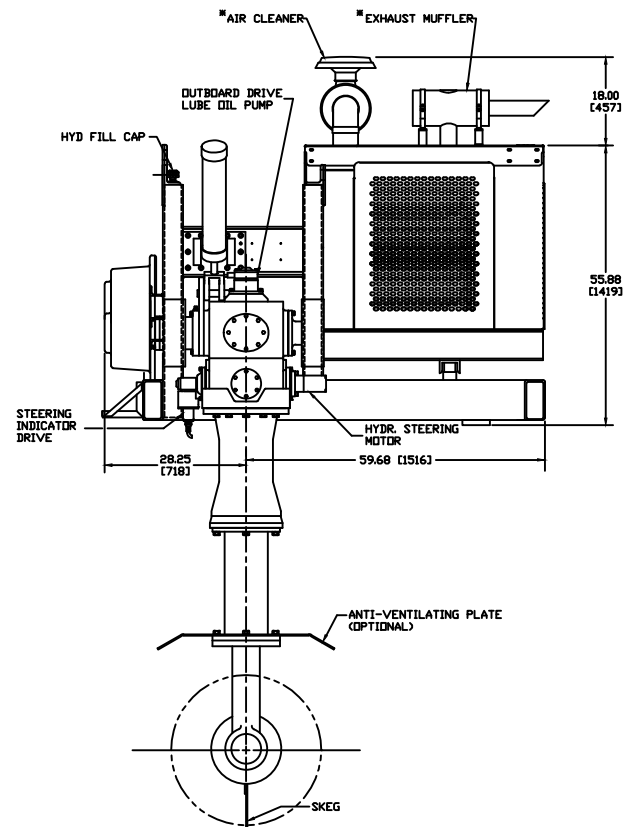
NOTE:
ENGINE BED TO BE SHIMMED
AT INSTALLATION TO MINIMIZE
DEFLECTION WHEN BOLTING DOWN.



STD OPTION - 65.0 [1651]
STEM LENGTH
OTHER LENGTHS AVAILABLE

SPECIFICATIONS:
ENGINE - TIER 3 4.5L RADIATOR-COOLED
APPROX. WEIGHT - 3850 LBS. (1654 KG)
OPTIONAL FUEL TANK CAPACITY: 65 U.S. GALLONS (322 L)
OPTIONAL EQUIPMENT MAY BE SHOWN

* SHOWN FOR CLARITY
MAY BE DIFFERENT



ALSO REDUCED SIZE B		REVISED RECORD		DATE	BY	CHK
COMPUTER GRAPHICS DRAWING - CHANGE INDICATED						
THIRD ANGLE PROJECTION	MATERIAL SPEC	SCALE	DATE	DESIGNED	DATE	APPROVED
	1/12	CLARKS B&S	9924-D	K.J.R.	7/20/10	
ALL DIMENSIONS IN UNLESS OTHERWISE SPECIFIED		PART NO.		DWG NO.		REV
INSTALLATION AND UNIT ASSEMBLY DWG - SWR-2000		9925-D		1		1