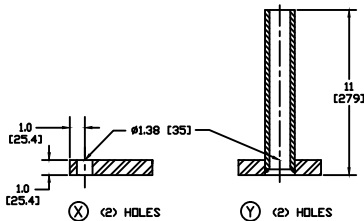
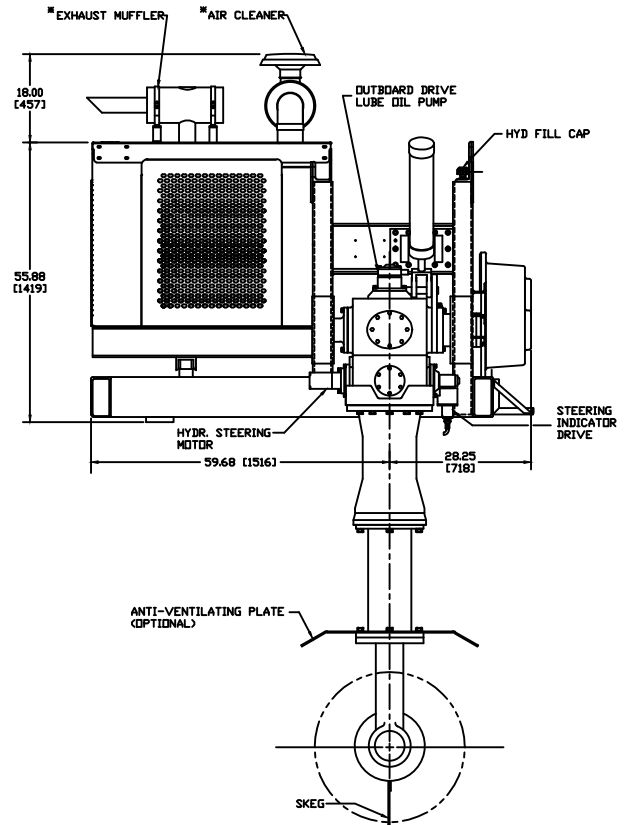
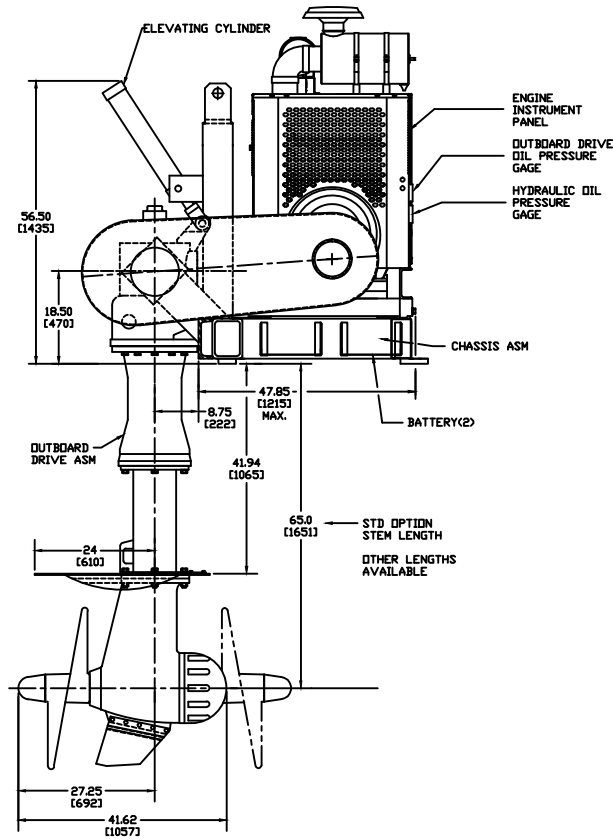


PLAN VIEW
(ENGINE AND ENCLOSURE NOT SHOWN)



MOUNTING BOLT HOLES
NO SCALE

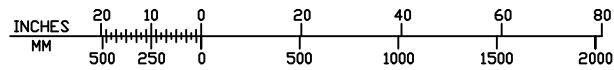
NOTE:
ENGINE BED TO BE SHIMMED
AT INSTALLATION TO MINIMIZE
DEFLECTION WHEN BOLTING DOWN.



SPECIFICATIONS:
ENGINE - YANMAR 3.45L RADIATOR-COOLED
APPROX. WEIGHT - 5850 LBS. (2654 KG)
OPTIONAL FUEL TANK CAPACITY: 85 U.S. GALLONS (322 L)
OPTIONAL EQUIPMENT MAY BE SHOWN

SHOWN FOR CLARITY
MAY BE DIFFERENT

MODEL	P/N
SWR-2000	9925-D
SWR-2001	9925-1-D



ALSO REDUCED SIZE B

DATE	REVISED	BY	CHK
COMPUTER GRAPHICS DRAWING - CHANGE RESTRICTED			
MATERIAL SPEC	DESIGN	APPROVED	
DATE	BY	DATE	
SCALE	FRONT VIEW	REFERENCE	
1/12	CLARKS B&S	9925-D	
ALL DIMENSIONS IN UNLESS OTHERWISE SPECIFIED		PART NO.	
INSTALLATION AND UNIT ASSEMBLY DWG - SWR-2001		1	9925-1-D